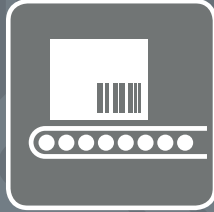


Power



Transport system



✓ Transport system (without charger)

For one battery charger (standard version)

Type: MPC4 (f.e. DBL1600)

Dimensions transport system (HxWxD):
100(202) x 51 x 62 cm

Art.-No.

140526

Transport system options:

Incl. external signal lamp (height 100 cm)

140526/01

Incl. external signal lamp (height 20 cm)

140526/21



✓ Transport system for B-Housing version (without charger)

For one charger DBL B-Housing

For mounting external signal lamp
107492/x with mounting kit **140591/x**
prepared

Art.-No.

140527



✓ Transport system (multifunctional)

Without accessories

Transport system with mounting device for
two DBL in B housing and signal lamps

Art.-No.

140534

140534/1

Transport system with mounting device for
two DBL2250/3W resp. DBL3000/3W and
signal lamps

140534/2

Transport system with mounting device
for D-IBM2900 energy buffer system as
well as two DBL/3W or DBL-B and external
signal lamps

140534/3

D-IBM2900 / Wallmount



✓ D-IBM2900 Energy buffer system for DBL chargers

Manufacturing

Ensuring an uninterrupted power supply in the industrial plant area

Art.-No.

107482 (3AC)

Mobile

Mobile loading unit enables flexible supply in vehicle fleets or rework stations

107483 (1AC)



✓ Wallmount (without charger)

For one charger (standard version)

Type: MPC4 (f.e. DBL1600)

Art.-No.

140551



✓ Wallmount with cable holder

Wallmount with cable bracket incl. mounting and fastening materials for DBL series in B-Housing Version

Art.-No.

140418

Rework Station / Cable spring balancer / Filter box



✓ Basic carrier / Rework station

Basic carrier for DBL MPC4 chargers,
B-Housing Version

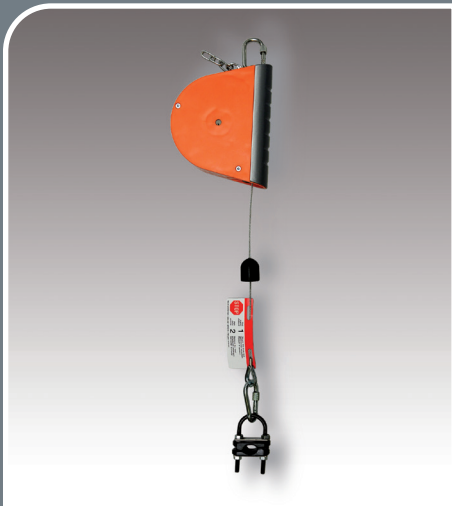
Incl. EU socket combination
Not mounted!

Other socket combination on request

Art.-No.

140422

140422/10



✓ Cable spring balancer with locking device

Load 1.5...3 kg

Including conductor holder
for round cables

Art.-No.

140061/1



✓ D-ILA-F10A1 EMC filter for DBL-Series

Adaptive filter box to meet ILA EMC
requirement on DBL devices

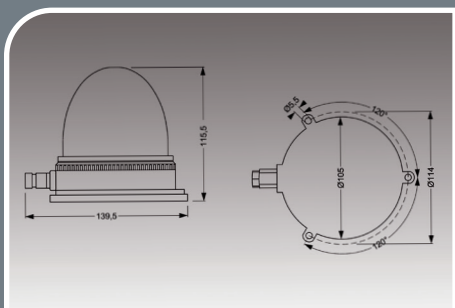
Retrofittable on existing DBL devices

Suitable for DBL1050-14, DBL1200-14
and DBL1600-14

Art.-No.

140291

Signalization



Use of charger with signal lamp during assembly line

✓ External Signal Lamp

External signal lamp for charging computers of the DBL MPC4 and MPC9 series

For clear signalling of the charging status on production lines and workshops

MPC4 – with 2.5 m cable length

Without acoustic signalling

Acoustic signalling with LED signal green

Acoustic signalling with LED signal yellow

Acoustic signalling with LED signal red

Mounting set for mounting a signal lamp on the transport system, mounting height approx. 100 cm

Art.-No.

107492

107492/20*

107492/21*

107492/22

140591

MPC4 – with 0.5 m cable length

Without acoustic signalling

Acoustic signalling with LED signal green

Acoustic signalling with LED signal yellow

Acoustic signalling with LED signal red

Mounting set for mounting a signal lamp on the transport system, mounting height approx. 20 cm

107492/1

107492/10*

107492/11*

107492/12

140591/1

(* minimum order quantity: 5 pieces)

MPC9 – with 2.5 m cable length

DBL-SIG USB Indicator without acoustic signalling

DBL-SIG USB Indicator with acoustic signalling

107489

107489/20

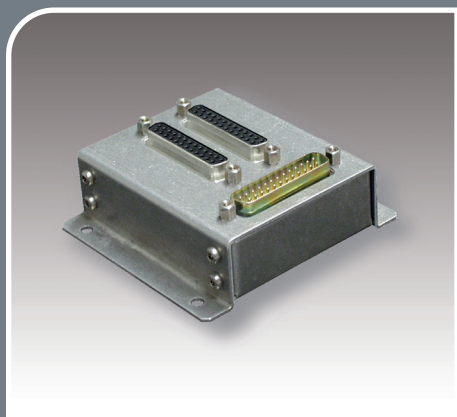
MPC9 – with 0.5 m cable length

DBL-SIG USB Indicator without acoustic signalling

DBL-SIG USB Indicator with acoustic signalling

107489/1

107489/10



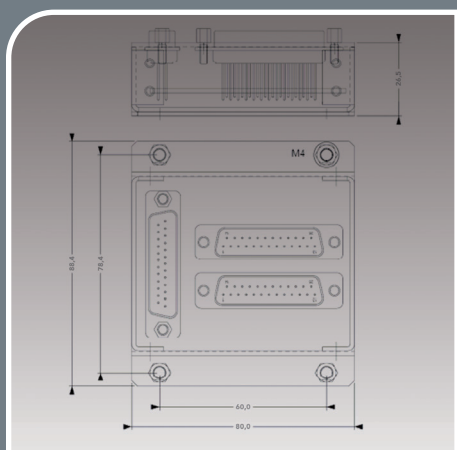
✓ D-ADAPT-SBB2X25 T-Adapter

The T-Adapter enables the utilisation of the further functions of the 25 pole DBL interface while at the same time the external signal lamp (DBL-SIG-LR) is connected to the DBL.

Type: MPC4 (f.e. DBL1600)

Art.-No.

140334



✓ D-ADAPT-SB25 Data Cable

Data cable male-female, 25 pole / 1.8 m

Art.-No.

140337



Connection Technology



✓ Mains cable for Europe

With Schuko according to IEC-60320 C13

Meter	Art.-No.
3.0 m	140502
5.0 m	140501



✓ Mains cable for USA

According to NEMA 5-15

Meter	Art.-No.
5.0 m	140504



✓ Mains cable for Australia

According to AS3112

Meter	Art.-No.
5.0 m	140416



✓ Mains cable for United Kingdom

According to BS1363

Meter	Art.-No.
5.0 m	140413

✓ Mains cables international (4 set)

Set consists of 4 mains cables

Europe-Schuko • USA / Canada / Japan

UK / Ireland / Hong Kong • Australia / New Zealand

Meter	Art.-No.
5.0 m	140415

✓ Mains cables international (3 set)

Set consists of 3 mains cables

USA / Canada / Japan • UK / Ireland / Hong Kong

Australia / New Zealand

Meter	Art.-No.
5.0 m	140420

Connection Technology



✓ Charging cable

16 mm² / 100 m reel
Cable for battery charger

Art.-No.

140509

Standard

Cable/Length	Connection	Charging clamps	Art.-No.
16 mm ² / 3.0 m	Welding connectors	Standard 200A	140707
16 mm ² / 5.0 m	Welding connectors	Standard 200A	140708
25 mm ² / 5.0 m	Welding connectors	Standard 200A	140710

Standard variants

Cable/Length	Connection	Charging clamps	Art.-No.
16 mm ² / 7.0 m	Welding connectors	Standard 200A	140712
16 mm ² / 10.0 m	Welding connectors	Standard 200A	140721
16 mm ² / 12.0 m	Welding connectors	Standard 200A	140709
16 mm ² / 15.0 m	Welding connectors	Standard 200A	140708/9
16 mm ² / 3.0 m	Welding connectors	Angled 200A	140686
16 mm ² / 5.0 m	Welding connectors	Angled 200A	140687
25 mm ² / 5.0 m	Welding connectors	Pressed cable lug M8	140677
16 mm ² / 3.0 m	Cable lug M10	Standard 200A	140719
35 mm ² / 5.0 m	Cable lug M12	Standard 200A	140660
70 mm ² / 5.0 m	Cable lug M12	Angled 1000A	140756
Charging cable for SmartCharger SC300/SC500			
6 mm ² / 4.0 m	From the BMCS2 connector up to the charging clamps	Fully isolated clamping tongs	140444
Charging cable for SmartCharger SC750			
8 mm ² / 2.0 m	From the MPC50 connector up to the charging clamps	Fully isolated clamping tongs	140454



✓ Scratch protection for charging cable

For charging cable 5.0 m
Prevents damage by the charging cable on the vehicle

Art.-No.

140676

Connection Technology



✓ Cable clamps

completely isolated, for professional applications

Standard 200A

red

Black

Set red and black

Art.-No.

140557

140558

140559



Set angled 1000A

red and black

Art.-No.

140549



Spare part for 200A cable clamps

Handle cover red

Handle cover black

Art.-No.

140553

140554



✓ Charging cable coupling

Charging cable coupling (plug)

Charging cable coupling (socket)

Art.-No.

140556

140555



✓ Welding connector

Socket / plug for mounting in your own application

Mounting plug (minus)

Mounting socket (plus)

Art.-No.

140563

140562



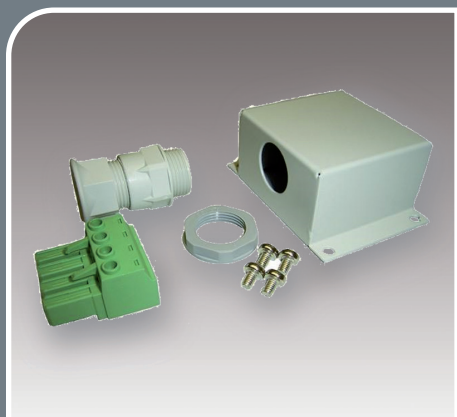
✓ Welding plug / Charging cable coupling set

Set includes Art.-No. 140555, 140556, 140562 and 140563

Art.-No.

140508

Connection Technology

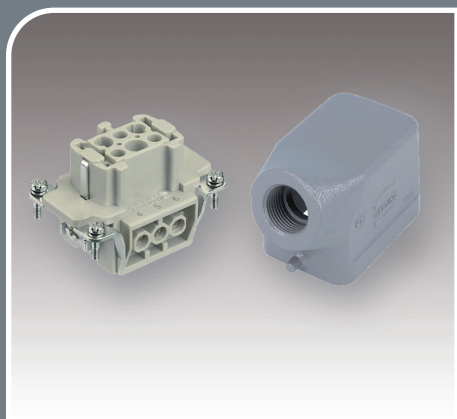


✓ Mains connection kit

For DBL3000/3W and DBL5500/3W

Art.-No.

140742



✓ HARTING-plug

HARTING-plug for all DBLxxx/3W HAN-versions (mains connection)

Art.-No.

140442

Miscellaneous

✓ Spare parts

Rubber foot for DBL800 (without illustration)

Art.-No.

140726

Hinged feet frontside
Type: MPC4 (f.e. DBL1600)
(without illustration)

140731

Carrying handle for product groups
Type: MPC4 (f.e. DBL1600)

140728

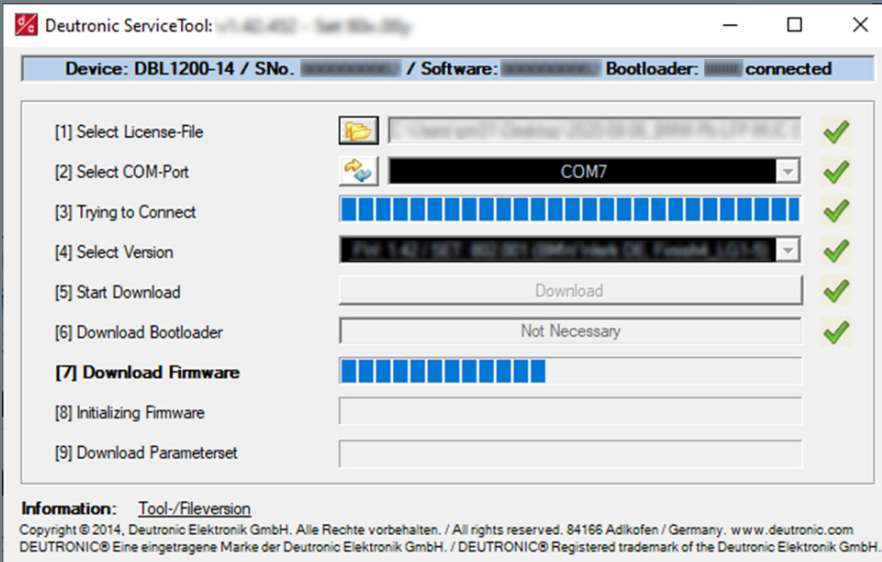
(Attention – handle is not generally mountable – the basic article needs to be prepared ex factory)

Further spare parts on request



✓ D-Tool Service MPC4

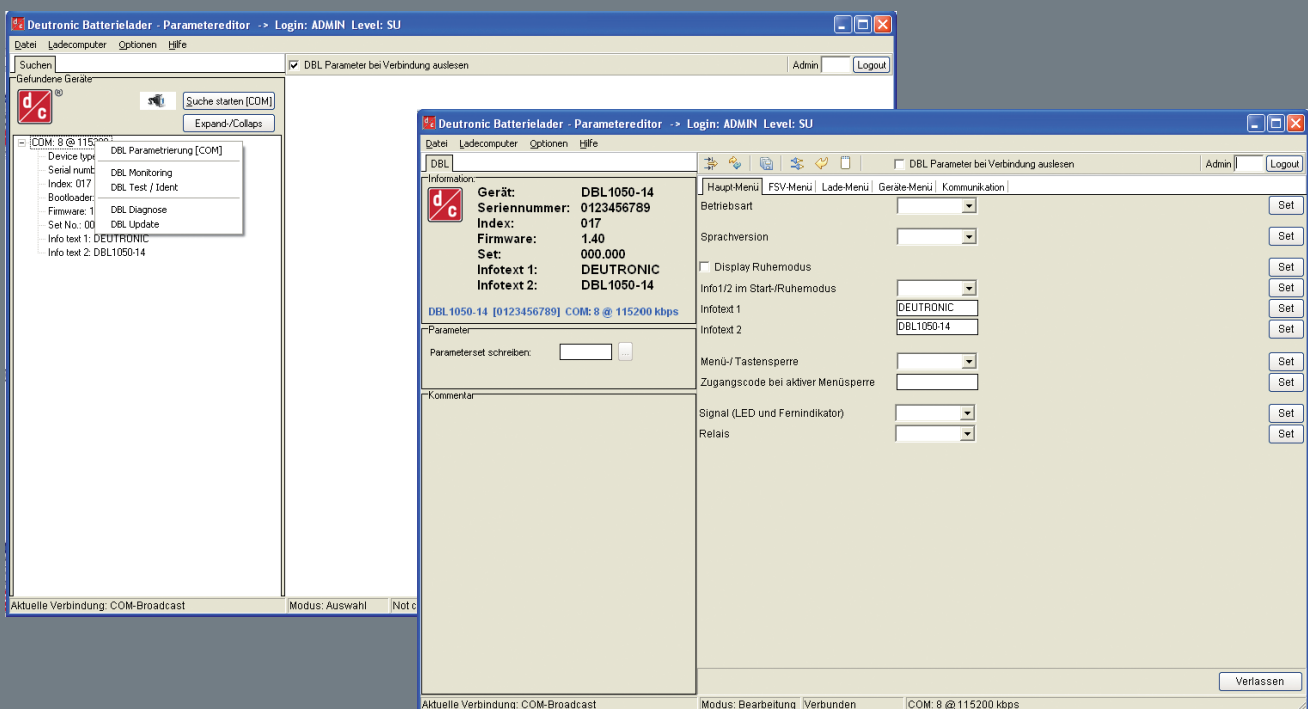
Software for fast and easy update of customer-specific firmware (including parameter) via RS232 or USB. Link available via e-mail.



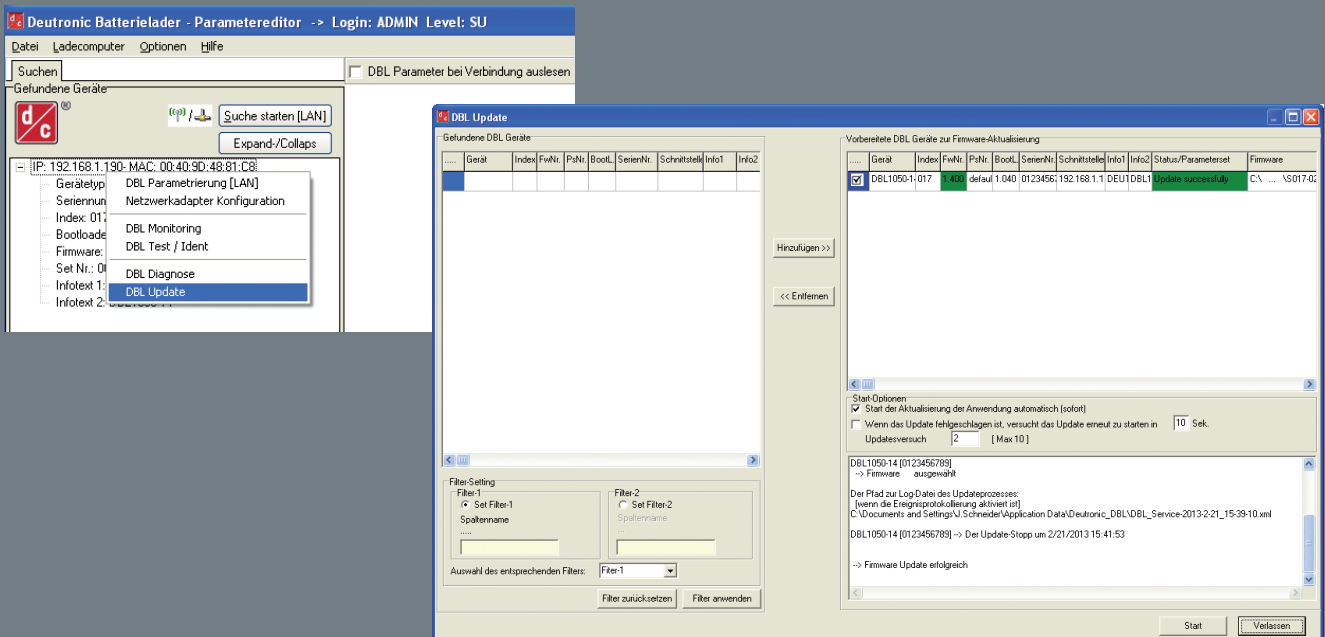
Art.-No.
on request

✓ D-Tool Parameterization Tool MPC4

For PC-based parameterization of DBL MPC4 charging computers and configuration of D-ADAPT-MPC4 network adapter via RS232/USB or Ethernet



Software



For DBL battery chargers with MPC4 controller board and D-ADAPT-MPC4 Network Adapter Series

Single-user licence (Microsoft® Windows® operating systems)

Without data cable

Art.-No.

140787

Contact



Deutronic Elektronik GmbH

Deutronicstraße 5

D-84166 Adlkofen/Germany

Tel.: +49 8707 920-0

E-Mail: sales@deutronic.com

www.deutronic.com

Imprint

Deutronic Elektronik GmbH

Managing directors: Christian Wanzke, Thomas Wanzke

USt-IdNo.: DE 128 947 951

WEEE-Reg.-No.: DE 13739201

Commercial Register: HRB No. 1837

Court of jurisdiction: Landshut / Germany

All technical data measured with nominal input voltage, full load and 25°C ambient temperature, when not otherwise stated.

Technical changes and errors excepted. The details in the catalogue and in the data sheets describe products, their characteristics are not guaranteed. Loading with "threshold" values (simple combinations) are permissible without permanent damage to the equipment. Operation of the equipment with threshold values for long periods of time can impair the reliability. The threshold value tolerances are subject to usual fluctuations.



Accessories catalogue
Charging Technology

